

Side B

Pin	Signal Name	Function	Source
48	PB1	PIA control line	Q133
47	CLICK OUT	sync output	CMI28
46	SMPTE IN	SMPTE input	CMI333
45	MIDI IN D	MIDI input 4 (KBD)	CMI332
44	MIDI OUT D	MIDI output 4	CMI28
43	MIDI OUT C	MIDI output 3	CMI28
42	MIDI IN B	MIDI input 2	CMI332
41	MIDI OUT B	MIDI output 2	CMI28
40	MIDI IN A	MIDI input 1	CMI332
36,37	D+5	digital 5 volts	CMI35
34,35	DGND	digital GND	CMI35
32,33	+15V	regulated supply	CMI310
30,31	-15V	regulated supply	CMI310
28,29	AGND	analog GND	CMI310
21	LK20	link between slots	future
20	LK18	link between slots	future
19	LK16	link between slots	future
18	LK14	link between slots	future
17	LK12	link between slots	future
16	LK10	link between slots	future
15	LK8	link between slots	future
14	LK6	link between slots	future
13	LK4	link between slots	future
12	LK2	link between slots	future
10		polarizing key	
2	AGND	analog GND	CMI310
1	KEY-	MIDI from keyboard	CMI310

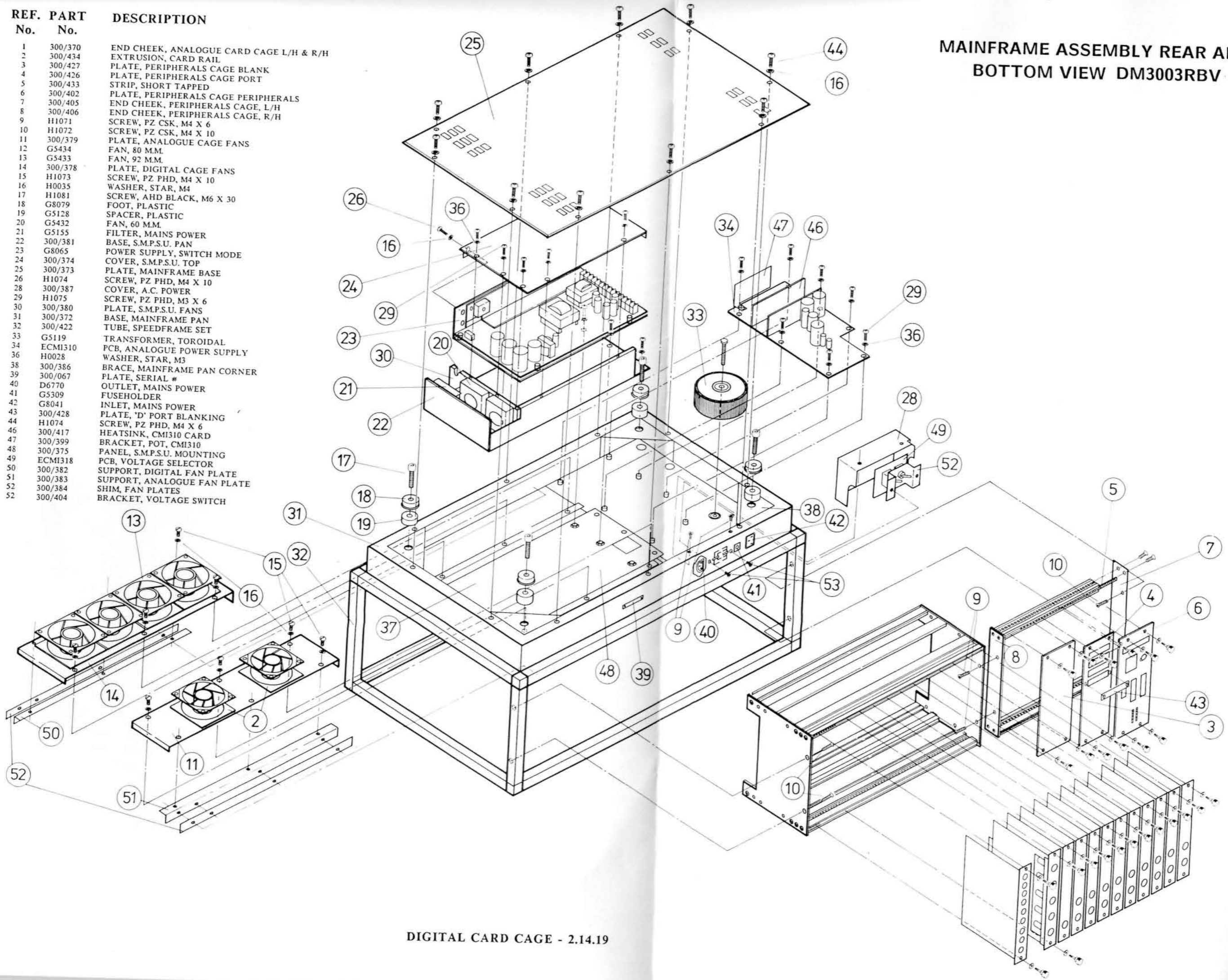
Cable Schedule

Socket J1 is connected as per table 8 in the CMI wiring schedule.  
 Socket J2 is as per table 7 in the CMI wiring schedule.  
 Socket J3 is as per table 5, Socket J4 is as per table 11 and socket J5 is as per table 9.

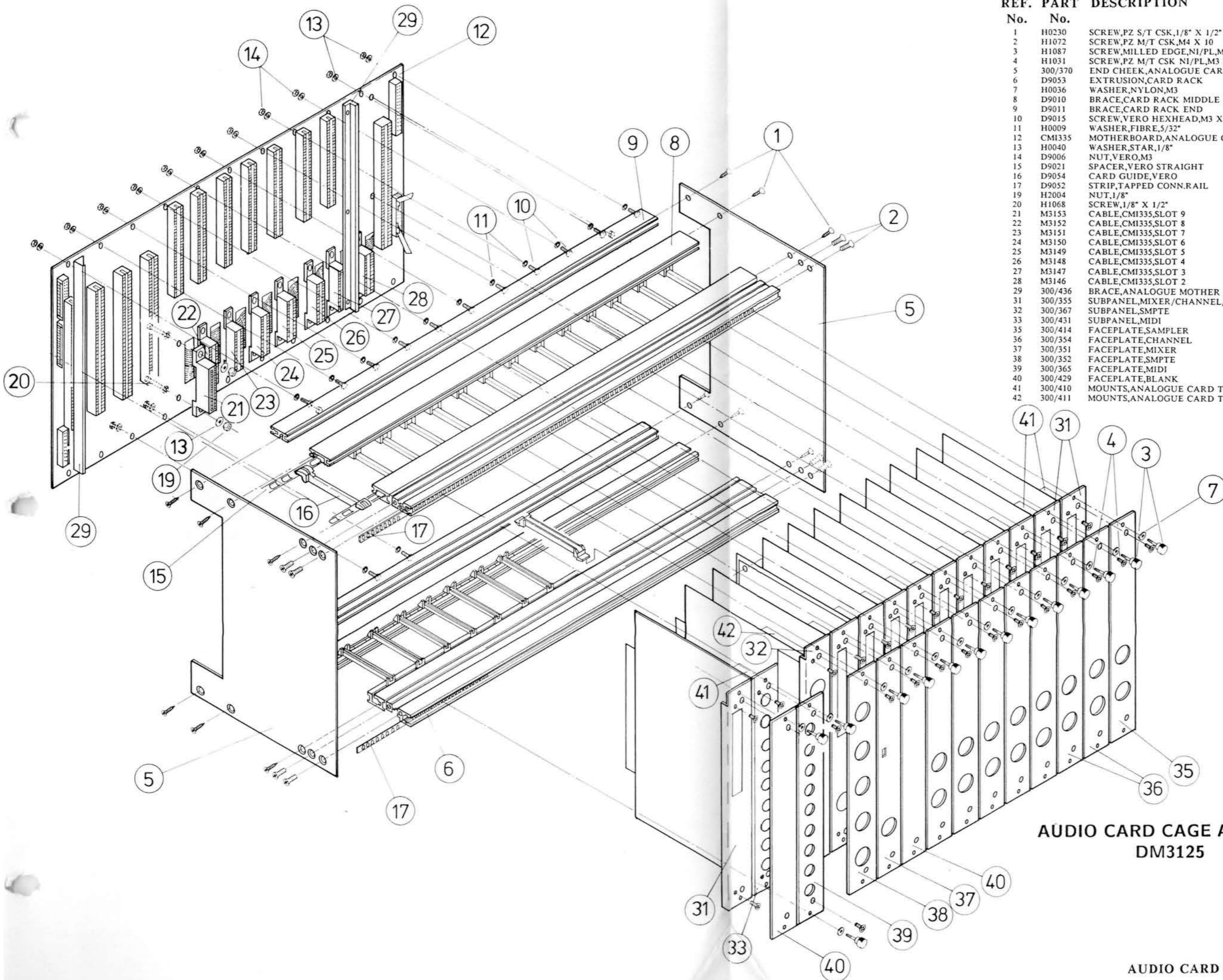
REF. PART No. No. DESCRIPTION

- 1 300/370 END CHEEK, ANALOGUE CARD CAGE L/H & R/H
- 2 300/434 EXTRUSION, CARD RAIL
- 3 300/427 PLATE, PERIPHERALS CAGE BLANK
- 4 300/426 PLATE, PERIPHERALS CAGE PORT
- 5 300/433 STRIP, SHORT TAPPED
- 6 300/402 PLATE, PERIPHERALS CAGE PERIPHERALS
- 7 300/405 END CHEEK, PERIPHERALS CAGE, L/H
- 8 300/406 END CHEEK, PERIPHERALS CAGE, R/H
- 9 H1071 SCREW, PZ CSK, M4 X 6
- 10 H1072 SCREW, PZ CSK, M4 X 10
- 11 300/379 PLATE, ANALOGUE CAGE FANS
- 12 G5434 FAN, 80 M.M.
- 13 G5433 FAN, 92 M.M.
- 14 300/378 PLATE, DIGITAL CAGE FANS
- 15 H1073 SCREW, PZ PHD, M4 X 10
- 16 H0035 WASHER, STAR, M4
- 17 H1081 SCREW, AHD BLACK, M6 X 30
- 18 G8079 FOOT, PLASTIC
- 19 G5128 SPACER, PLASTIC
- 20 G5432 FAN, 60 M.M.
- 21 G5155 FILTER, MAINS POWER
- 22 300/381 BASE, S.M.P.S.U. PAN
- 23 G8065 POWER SUPPLY, SWITCH MODE
- 24 300/374 COVER, S.M.P.S.U. TOP
- 25 300/373 PLATE, MAINFRAME BASE
- 26 H1074 SCREW, PZ PHD, M4 X 10
- 27 300/387 COVER, A.C. POWER
- 28 H1075 SCREW, PZ PHD, M3 X 6
- 29 300/380 PLATE, S.M.P.S.U. FANS
- 30 300/372 BASE, MAINFRAME PAN
- 31 300/422 TUBE, SPEEDFRAME SET
- 32 G5119 TRANSFORMER, TOROIDAL
- 33 ECM1310 PCB, ANALOGUE POWER SUPPLY
- 34 H0028 WASHER, STAR, M3
- 35 300/386 BRACE, MAINFRAME PAN CORNER
- 36 300/067 PLATE, SERIAL #
- 37 D6770 OUTLET, MAINS POWER
- 38 G5309 FUSEHOLDER
- 39 G8041 INLET, MAINS POWER
- 40 300/428 PLATE, 'D' PORT BLANKING
- 41 H1074 SCREW, PZ PHD, M4 X 6
- 42 300/417 HEATSINK, CM1310 CARD
- 43 300/399 BRACKET, POT, CM1310
- 44 300/375 PANEL, S.M.P.S.U. MOUNTING
- 45 ECM1318 PCB, VOLTAGE SELECTOR
- 46 300/382 SUPPORT, DIGITAL FAN PLATE
- 47 300/383 SUPPORT, ANALOGUE FAN PLATE
- 48 300/384 SHIM, FAN PLATES
- 49 300/404 BRACKET, VOLTAGE SWITCH

MAINFRAME ASSEMBLY REAR AND BOTTOM VIEW DM3003RBV



DIGITAL CARD CAGE - 2.14.19



**REF. PART DESCRIPTION**

REF. No.	PART No.	DESCRIPTION
1	H0230	SCREW,PZ S/T CSK,1/8" X 1/2"
2	H1072	SCREW,PZ M/T CSK,M4 X 10
3	H1087	SCREW,MILLED EDGE,NI/PL,M3 X 11
4	H1031	SCREW,PZ M/T CSK NI/PL,M3 X 6
5	300/370	END CHEEK,ANALOGUE CARD CAGE
6	D9053	EXTRUSION,CARD RACK
7	H0036	WASHER,NYLON,M3
8	D9010	BRACE,CARD RACK MIDDLE
9	D9011	BRACE,CARD RACK END
10	D9015	SCREW,VERO HEXHEAD,M3 X 10
11	H0009	WASHER,FIBRE,5/32"
12	CM1335	MOTHERBOARD,ANALOGUE CARD CAGE
13	H0040	WASHER,STAR,1/8"
14	D9006	NUT,VERO,M3
15	D9021	SPACER,VERO STRAIGHT
16	D9054	CARD GUIDE,VERO
17	D9052	STRIP,TAPPED CONN.RAIL
19	H2004	NUT,1/8"
20	H1068	SCREW,1/8" X 1/2"
21	M3153	CABLE,CM1335,SLOT 9
22	M3152	CABLE,CM1335,SLOT 8
23	M3151	CABLE,CM1335,SLOT 7
24	M3150	CABLE,CM1335,SLOT 6
25	M3149	CABLE,CM1335,SLOT 5
26	M3148	CABLE,CM1335,SLOT 4
27	M3147	CABLE,CM1335,SLOT 3
28	M3146	CABLE,CM1335,SLOT 2
29	300/436	BRACE,ANALOGUE MOTHER BOARD
31	300/355	SUBPANEL,MIXER/CHANNEL/SAMPLER
32	300/367	SUBPANEL,SMPTE
33	300/431	SUBPANEL,MIDI
35	300/414	FACEPLATE,SAMPLER
36	300/354	FACEPLATE,CHANNEL
37	300/351	FACEPLATE,MIXER
38	300/352	FACEPLATE,SMPTE
39	300/365	FACEPLATE,MIDI
40	300/429	FACEPLATE,BLANK
41	300/410	MOUNTS,ANALOGUE CARD TO SUBPANEL,SHORT
42	300/411	MOUNTS,ANALOGUE CARD TO SUBPANEL,LONG

**AUDIO CARD CAGE ASSEMBLY  
DM3125**