

TO OTHER INSTRUMENTS

Rear of CMI

# CMI III CONNECTION DIAGRAM

Printer

ADC AUDIO  
KBD VDU DIGITAL

PRINTER 1 PRINTER 2

KEYBOARD

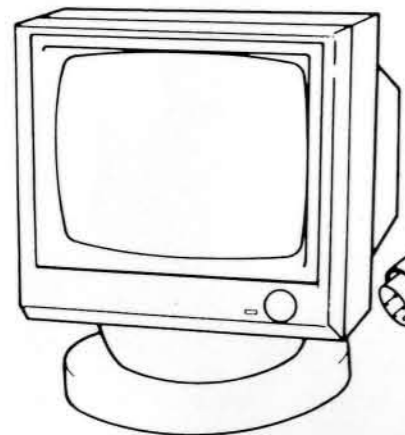
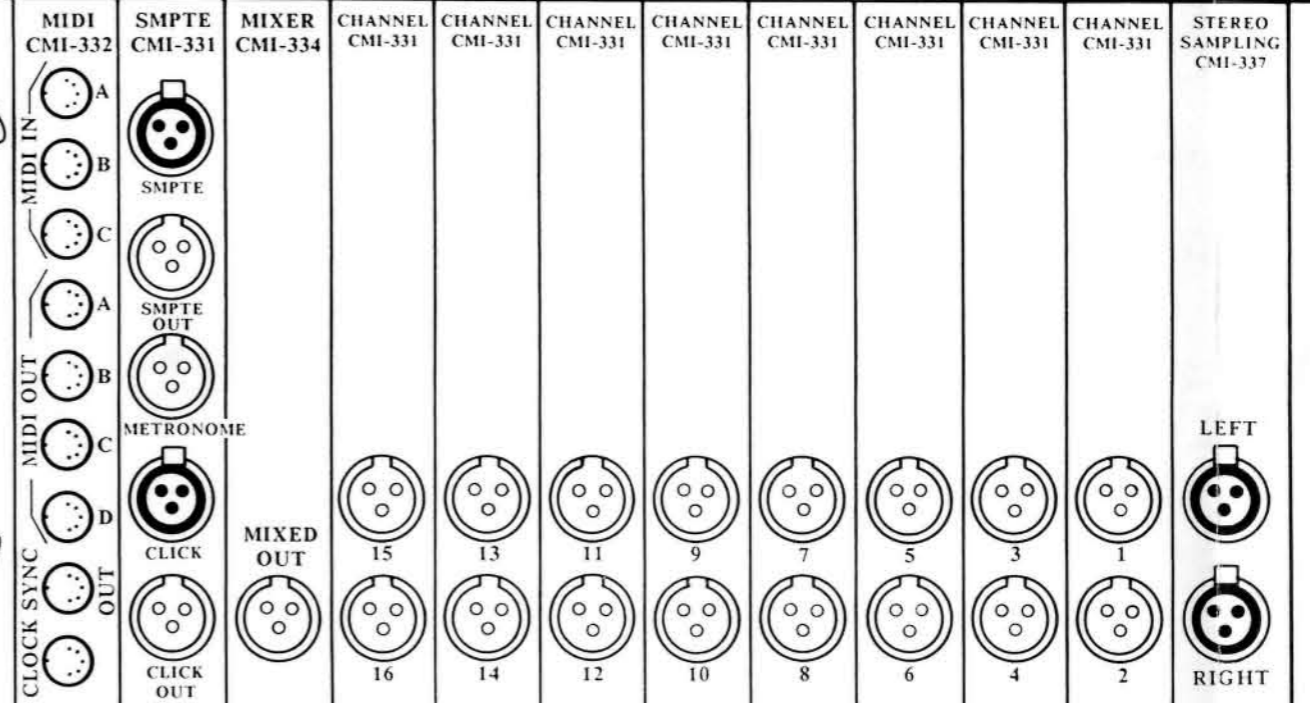
VDU

KEYBOARD POWER

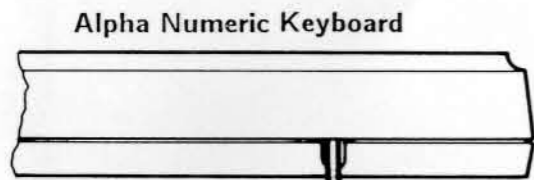
MAINS INPUT

MAINS FUSE

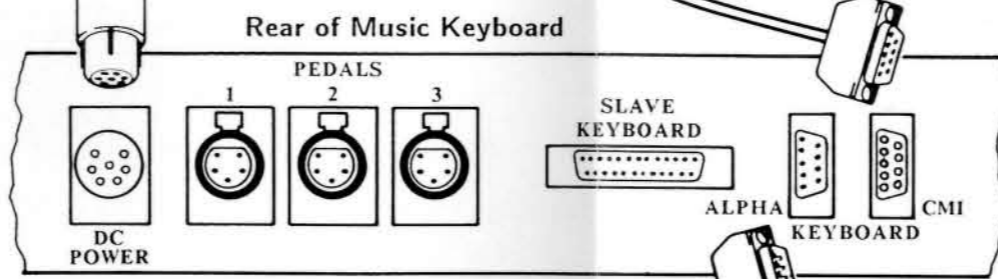
SWITCHED MAINS



Graphics Monitor (VDU)



Alpha Numeric Keyboard



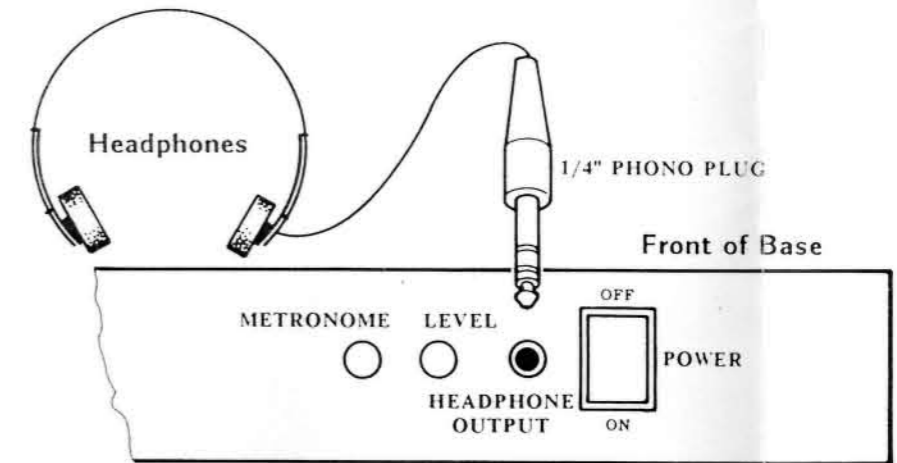
Rear of Music Keyboard

MIDI IN  
KEYBOARD  
OR SEQUENCER

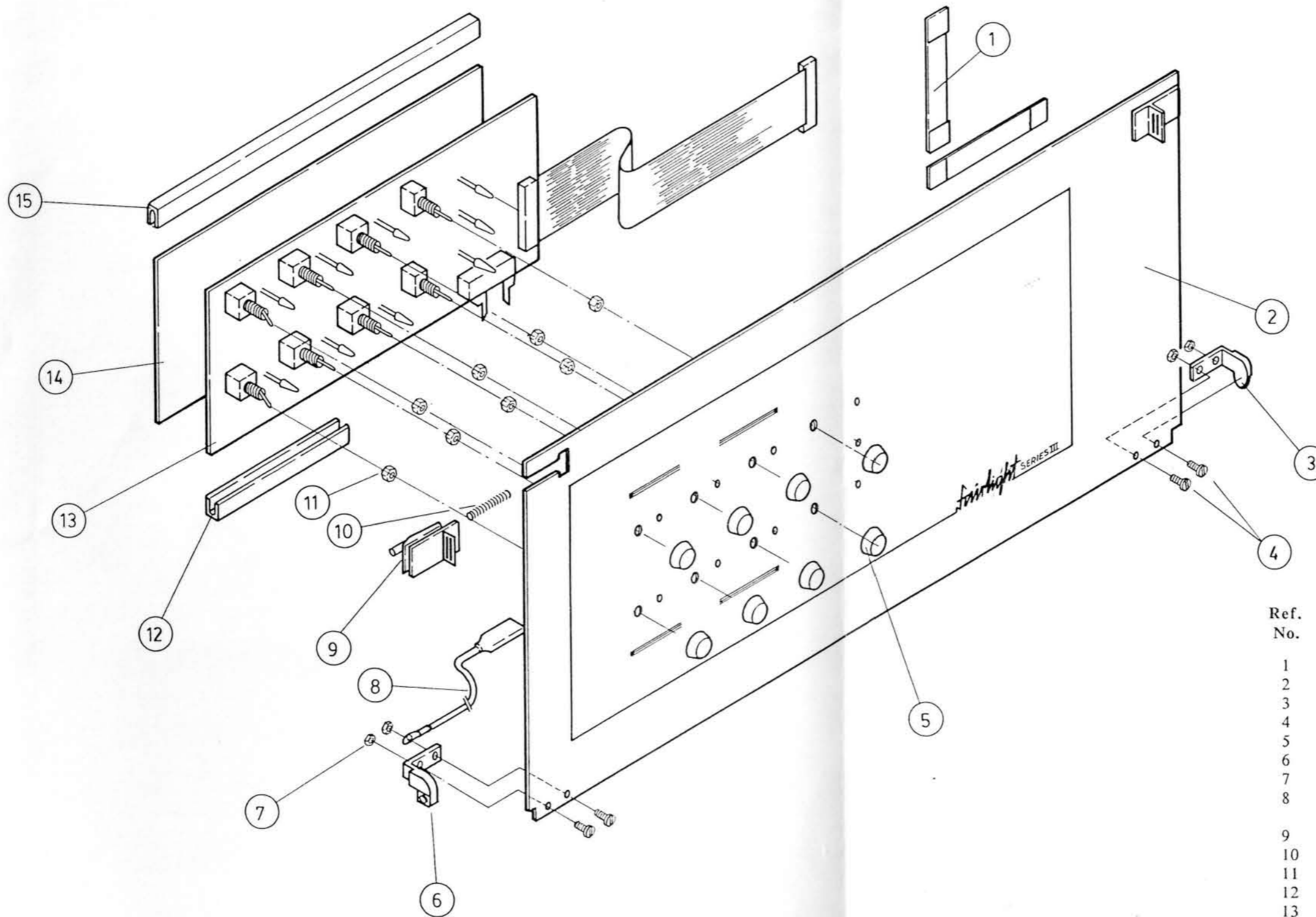
TO MIXER  
OR AMPLIFIER

SEPARATE CHANNEL  
AUDIO OUTPUTS  
(TO OPTIONAL MIXER)  
OR MULTITRACK TAPE RECORDER

Sampler Input



FRONT PANEL ASSEMBLY  
DMC044



| Ref. No. | Part No. | Description          |
|----------|----------|----------------------|
| 1        | G5116    | CLAMP, FLAT CABLE    |
| 2        | 300/089  | PANEL, FRONT         |
| 3        | D9002    | HINGE BRACKET, R/H   |
| 4        | D9005    | SCREW, VERO, M3 X 8  |
| 5        | H2006    | NUT, DRESS           |
| 6        | D9002    | HINGE BRACKET, L/H   |
| 7        | D9006    | NUT, VERO, M3        |
| 8        | MC020    | CABLE, EARTH6Y       |
| 9        | D9003    | HINGE BOLT, VERO     |
| 10       | D9004    | SPRING, VERO HINGE   |
| 11       | H2007    | NUT, SWITCH          |
| 12       | G1332    | STRIP, SHORT PLASTIC |
| 13       | MQ137    | CARD, FRONT PANEL    |
| 14       | G0007    | INSULATOR            |
| 15       | G1332    | STRIP, LONG PLASTIC  |